



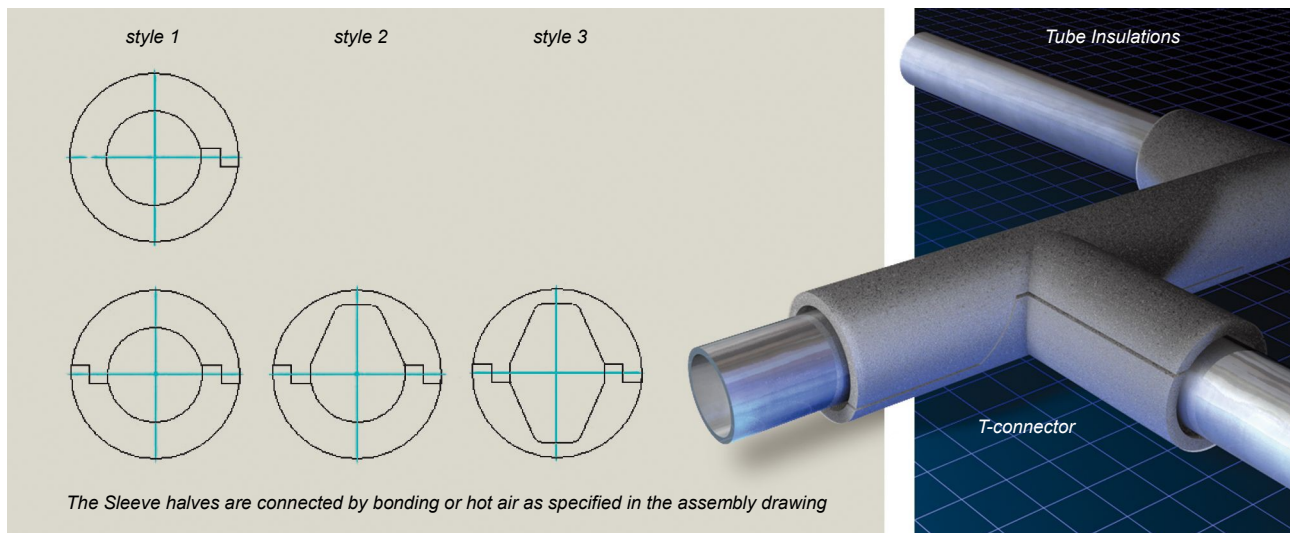
## PE-FOAM Tube System Insulation

acc.to ABS0616, ABS0619, ABS0623

## MP15FR

IPS 04-14-005-01

(to use with ABS0624)



Versions	AIMS 04-14-005A (MP15FR)
Applications	tube & valve systems
Material	closed cell, cross linked Polyethylene-Foam
Colour	grey
Typical properties	flexible, hot formable, low density PE-Foam MP15FR, resistant to phosphoric acid ester e.g. Skydrol 500B
Density	max. 18 kg/m <sup>3</sup>
Flammability	meets the requirements of ABD 0031, FAR 25.856(a)
Temperature range	- 55 °C to + 80 °C
Characteristics	<ul style="list-style-type: none"> <li>- good mechanical performance at low weight</li> <li>- very low water absorption</li> <li>- low water vapour transmission rate</li> <li>- excellent resistance to chemical weathering</li> <li>- odourless</li> <li>- non-toxic</li> <li>- non-staining</li> </ul>



## PE-FOAM Tube System Insulation

acc.to ABS0616, ABS0619, ABS0623

## MP15FR

IPS04-14-005-01

(to use with ABS0624)

Airbus Spec.	WAI-P/N	Airbus-D ID-No.	Airbus-F ID-No.(CMS)	material	length	inner Ø / mm	outer Ø / mm
<b>Tube insulations</b>							
ABS0616A1-04	8616A104A			MP15FR	1100 mm	6.35	26.4
ABS0616A1-06	8616A106A			MP15FR	1100 mm	9.53	29.5
ABS0616A1-08	8616A108A	89811139		MP15FR	1100 mm	12.7	32.7
ABS0616A1-12	8616A112A	89811309	7730651615	MP15FR	1100 mm	19.05	39.1
ABS0616A1-16	8616A116A	89811317	7730651605	MP15FR	1100 mm	25.4	45.4
ABS0616A1-20	8616A120A			MP15FR	1100 mm	31.75	51.8
ABS0616A1-24	8616A124A			MP15FR	1100 mm	38.1	58.1
ABS0616A2-08	8616A208A	89811473	7730651606	MP15FR	1100 mm	12.7	32.7
ABS0616A2-12	8616A212A	89811481		MP15FR	1100 mm	19.05	39.1
ABS0616A2-16	8616A216A	89811490	7730651607	MP15FR	1100 mm	25.04	45.4
ABS0616A3-08	8616A308A	89811503	7700651618	MP15FR	1100 mm	12.7	32.7
ABS0616A3-12	8616A312A	89811554	7730651600	MP15FR	1100 mm	19.05	39.1
ABS0616A3-16	8616A316A	89811562	7730651608	MP15FR	1100 mm	25.4	45.4
<b>Pipe coupling</b>							
ABS0619A08C01	8619A08C01	89811619	7730651001	MP15FR	200 mm	32.7	52.7
ABS0619A08C02	8619A08C02			MP15FR	350 mm	32.7	52.7
ABS0619A12C01	8619A12C01	89811651	7730651000	MP15FR	200 mm	39.1	59.1
ABS0619A12C02	8619A12C02			MP15FR	350 mm	39.1	59.1
ABS0619A16C01	8619A16C01	89811678		MP15FR	200 mm	45.4	65.4
ABS0619A16C02	8619A16C02	89811724	7730651005	MP15FR	330 mm	45.4	65.4
ABS0619A20C01	8619A20C01			MP15FR	200 mm	51.8	71.8
<b>T-connector</b>							
ABS0623A08D01	8623A08D01	89811767	7730652327	MP15FR	200 mm	32.7	52.7
ABS0623A12D01	8623A12D01	89811775		MP15FR	200 mm	39.1	59.1
ABS0623A16D01	8623A16D01	89812950		MP15FR	200 mm	45.4	65.4
<b>Connecting sleeves</b>							
ABS0624-01	73800HICB13	70494540	7085650624		175 mm		
ABS0624-02	73800HICB14	71554570	7085650625		220 mm		
ABS0624-03	73800HICB15	84694762	7085650626		250 mm		